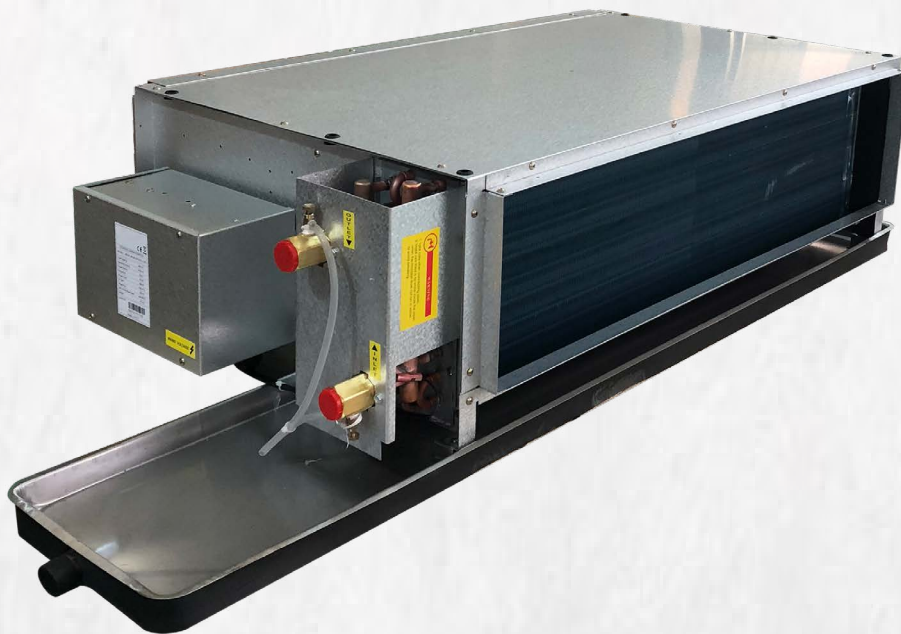


High Static Ducted PDWC-AECM



CAPACITIES

2 & 4 Pipe

5700-57500 BTU/Hr

4100-60300 BTU/Hr

180-2150 CFM

COOLING HEATING AIR FLOW

FEATURES	AVAILABLE ACCESSORIES
STANDARD MERV 2-4 FILTER	ELECTRIC HEATER
OPTIONAL MERV 8 FILTER	BELIMO VALVE KIT
EC MOTOR	STAINLESS STEEL DRAIN PAN
0.2-0.72 in.wg	WALL PAD CONTROLLER
	THERMOSTAT CONTROLLER
	ABS LED RECEIVER
	PLENUM DISCHARGE/RETURN ROUND

TECHNICAL SPECIFICATIONS

Hydronic High Static Ducted, 3 row, 2 pipe with **EC Motor**

PDWC-3R-[SIZE]-V-AECM			400	500	600	800	1000	1400	1600	2000
Unit General Specs	Configuration		2 pipe							
	Number of Fan Blowers		1	2	1	2		4		
	Power Supply (V/Ph/Hz)		115 / 1 / 50 220/1/60							
Total cooling capacity ^{(1) (E)}	BTU/H	max	14498	16993	33713	37495	43113	48666	52242	76901
		med	13085	15283	30707	36741	40720	46751	50113	71519
		min	13464	11584	19174	20341	23130	34416	38840	53840
Sensible cooling capacity ^{(1) (E)}	BTU/H	max	9959	11543	23034	25898	29509	33307	35676	53587
		med	8942	10335	20925	25413	27785	31884	34160	49850
		min	9225	7689	12864	13679	15300	22976	25983	36952
Water flow ⁽¹⁾	GPM	max	2.9	3.4	6.7	7.4	8.5	9.6	10.3	15.2
		med	2.6	3.0	6.1	7.3	8.0	9.2	9.9	14.1
		min	2.7	2.3	3.8	4.0	4.6	6.8	7.7	10.6
Water pressure drop ^{(1) (E)}	ft.wg	max	6.8	9.9	19.5	11.8	12.4	17.4	10.1	12.0
		med	5.7	8.2	16.5	11.4	11.2	16.2	9.4	10.5
		min	6.0	5.0	7.1	3.9	4.1	9.3	5.9	6.3
Heating capacity ^{(2) (E)}	BTU/H	max	22539	26420	52410	58290	35959	53502	60379	83696
		med	20341	23761	47734	57113	63300	72676	77901	111181
		min	20932	18007	29806	31625	35959	53502	60379	83696
Water pressure drop ^{(2)(E)}	ft.wg	max	6.2	8.9	17.6	10.6	11.2	15.7	9.1	10.8
		med	5.1	7.3	14.8	10.2	10.1	14.6	8.4	9.5
		min	5.4	4.5	6.4	3.5	3.7	8.4	5.3	5.7
Air flow	CFM	max	527	597	1296	1447	1659	1819	1939	3150
		med	459	522	1149	1413	1538	1714	1841	2871
		min	478	363	624	654	742	1146	1318	1981
Power input ^(E)	W	max	152	202	195	281	310	413	477	637
		med	84	121	137	208	151	246	304	461
		min	32	34	62	65	70	72	108	142
Sound power level ^{(3) (E)}	dB/A	max	66	68	68	70	68	71	72	76
		med	62	65	66	68	64	69	70	74
		min	57	55	59	59	68	71	72	76

(1) Water temperature 45 / 55°F, air temperature D.B. 80°F, W.B. 67°F (51% relative humidity)

(2) Inlet water temperature 140°F, water flow rate same as in cooling mode, air temperature 70°F

(3) Sound power measured according to standards ISO 3741 and ISO 3742

(E) AHRI certified data Power supply 115/220-1-60 (V-ph-Hz)

TECHNICAL SPECIFICATIONS

Hydronic High Static Ducted, 4 row, 2 pipe with **EC Motor**

PDWC-4R-[SIZE]-V-AECM		400	500	600	800	1000	1400	1600	2000	
Unit General Specs	Configuration	2 pipe								
	Number of Fan Blowers	2			4		2		4	
	Power Supply (V/Ph/Hz)	115 / 1 / 50 220/1/60								
Total cooling capacity ^{(1) (E)}	BTUH	min	18123	21232	41222	46973	53580	59823	66126	99590
		med	16137	19038	37451	45618	50225	56816	62819	92000
		max	15915	13864	22553	24693	27997	40106	47543	67174
Sensible cooling capacity ^{(1) (E)}	BTUH	min	12061	14024	27495	31369	36116	40181	44174	67147
		med	10666	12502	24925	30611	33683	38116	41778	61730
		max	10512	8939	14662	16014	18164	26236	31010	44116
Water flow ⁽¹⁾	GPM	min	3.6	4.2	8.1	9.3	10.6	11.8	13.1	19.7
		med	3.2	3.8	7.4	9.0	9.9	11.2	12.4	18.2
		max	3.1	2.7	4.5	4.9	5.5	7.9	9.4	13.3
Water pressure drop ^{(1) (E)}	ft.wg	min	37.1	53.8	73.9	50.4	67.9	30.8	40.8	93.6
		med	30.1	44.2	62.2	47.8	60.5	28.1	37.2	81.1
		max	29.3	25.0	25.0	16.0	21.1	15.0	22.5	46.1
Heating capacity ^{(2) (E)}	BTUH	min	28171	33010	64082	73021	83294	92997	102795	15819
		med	25089	29597	58215	70915	78079	88321	97655	143017
		max	24741	21550	35058	38389	43522	62345	73904	104423
Water pressure drop ^{(2) (E)}	ft.wg	min	33.4	48.4	66.6	45.3	61.1	27.7	36.7	84.2
		med	27.1	39.8	60.0	43.0	54.4	25.3	33.5	73.0
		max	26.4	22.5	22.5	14.3	19.0	13.5	20.3	41.5
Air flow	CFM	min	506	580	1241	1394	1608	1779	1908	3061
		med	433	499	1093	1353	1469	1656	1785	2772
		max	426	334	571	604	682	1052	1238	1826
Power input ^(E)	W	min	152	202	195	281	310	413	477	637
		med	84	121	137	208	151	246	304	461
		max	32	34	62	65	70	72	108	142
Sound power level ^{(3) (E)}	dB/A	min	66	68	68	70	68	71	72	76
		med	62	65	66	68	64	69	70	74
		max	57	55	59	59	57	59	62	64

(1) Water temperature 45 / 55°F, air temperature D.B. 80°F, W.B. 67°F (51% relative humidity)

(2) Inlet water temperature 140°F, water flow rate same as in cooling mode, air temperature 70°F

(3) Sound power measured according to standards ISO 3741 and ISO 3742

(E) AHRI certified data Power supply 115/220-1-60 (V-ph-Hz)

TECHNICAL SPECIFICATIONS

Hydronic High Static Ducted, 3+1 row, 2 pipe with **EC Motor**

PDWC-3+1R-[SIZE]-V-AECM			400	500	600	800	1000	1400	1600	2000
Unit General Specs	Configuration		4 pipe							
	Number of Fan Blowers		1	2	1	2	2	4		
	Power Supply (V/Ph/Hz)		115 / 1 / 50 220/1/60							
Total cooling capacity ^{(1) (E)}	BTU/H	max	14096	16652	32543	36317	42130	47843	51532	75085
		med	12509	14829	29563	35259	39556	45256	33403	48242
		min	12338	10799	17802	12829	21928	32068	37270	50652
Sensible cooling capacity ^{(1) (E)}	BTU/H	max	9676	11300	22232	25167	28819	32696	35171	52532
		med	8526	10003	20154	24553	26922	30816	33403	48242
		min	8406	7150	11857	12829	14427	21365	24911	34573
Water flow ⁽¹⁾	GPM	max	2.8	3.3	6.4	7.2	8.3	9.5	10.2	14.8
		med	2.5	2.9	5.8	7.0	7.8	8.9	9.7	13.7
		min	2.4	2.1	3.5	3.8	4.3	6.3	7.4	10.0
Water pressure drop ^{(1) (E)}	ft.wg	max	6.5	9.5	18.3	11.1	11.9	16.9	9.9	11.5
		med	5.3	7.7	15.4	10.6	10.7	15.3	9.0	10.0
		min	5.1	4.4	6.2	3.5	3.7	8.2	5.5	5.7
Heating capacity ^{(2) (E)}	BTU/H	max	13717	15778	30587	32686	39655	444427	48696	71642
		med	12137	14075	27659	31984	37031	41761	46246	66437
		min	12051	10218	16846	17160	20645	29754	34785	48085
Water pressure drop ^{(2) (E)}	ft.wg	max	2.4	3.5	2.1	2.4	4.4	2.0	2.6	5.9
		med	1.9	2.8	1.8	2.3	3.9	1.8	2.4	5.1
		min	1.9	1.6	0.7	0.8	1.4	1.0	1.4	2.9
Air flow	CFM	max	506	580	1241	1394	1608	1779	1908	3061
		med	433	499	1093	1353	1469	1656	1785	2772
		min	426	334	571	604	682	1052	1238	1826
Power input ^(E)	W	max	152	202	195	281	310	413	477	637
		med	84	121	137	208	151	246	304	461
		min	32	34	62	65	70	72	108	142
Sound power level ^{(3) (E)}	dB/A	max	66	68	68	70	68	71	72	76
		med	62	65	66	68	64	69	70	74
		min	57	55	59	59	57	59	62	64

(1) Water temperature 45 / 55°F, air temperature D.B. 80°F, W.B. 67°F (51% relative humidity)

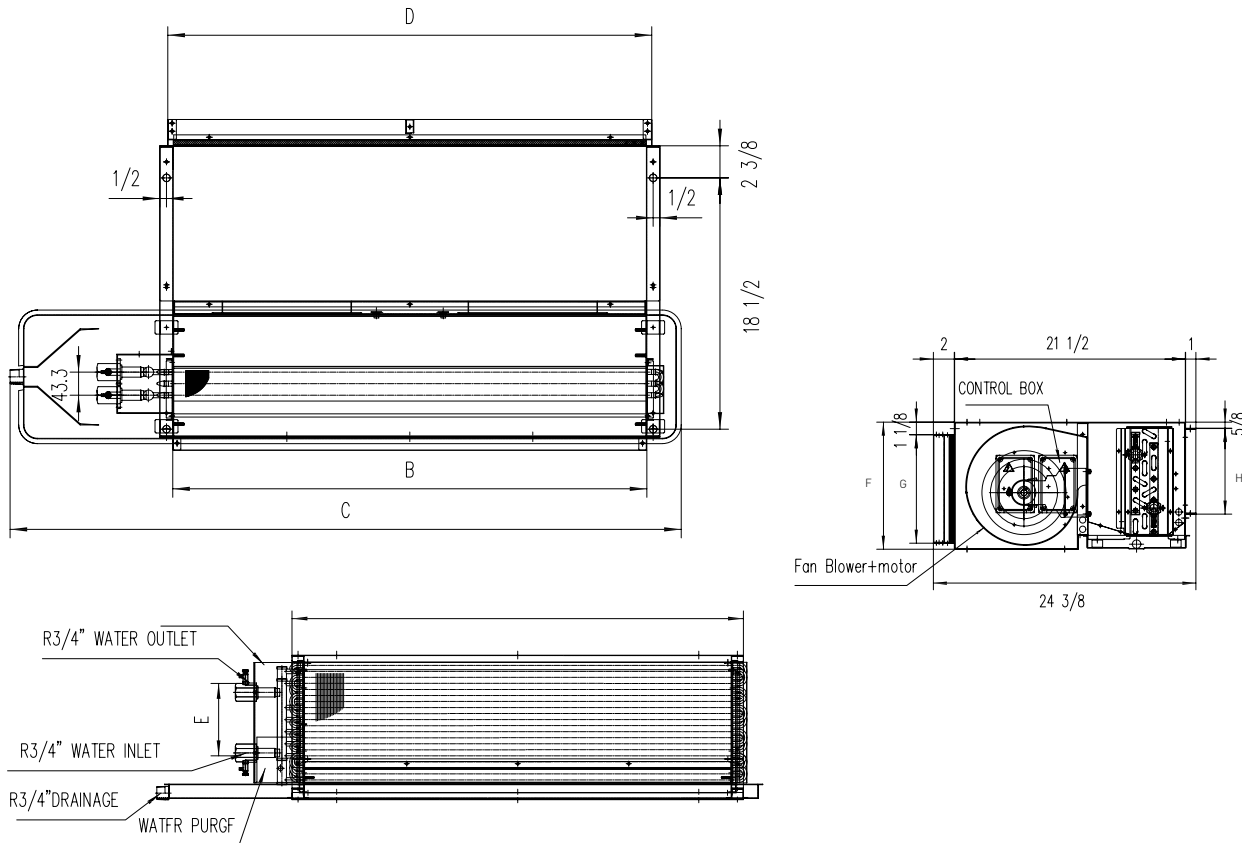
(2) Inlet water temperature 140°F, water flow rate same as in cooling mode, air temperature 70°F

(3) Sound power measured according to standards ISO 3741 and ISO 3742

(E) AHRI certified data Power supply 115/220-1-60 (V-ph-Hz)

DIMENSIONAL DRAWINGS, DATA & WEIGHTS

With decorative cabinet

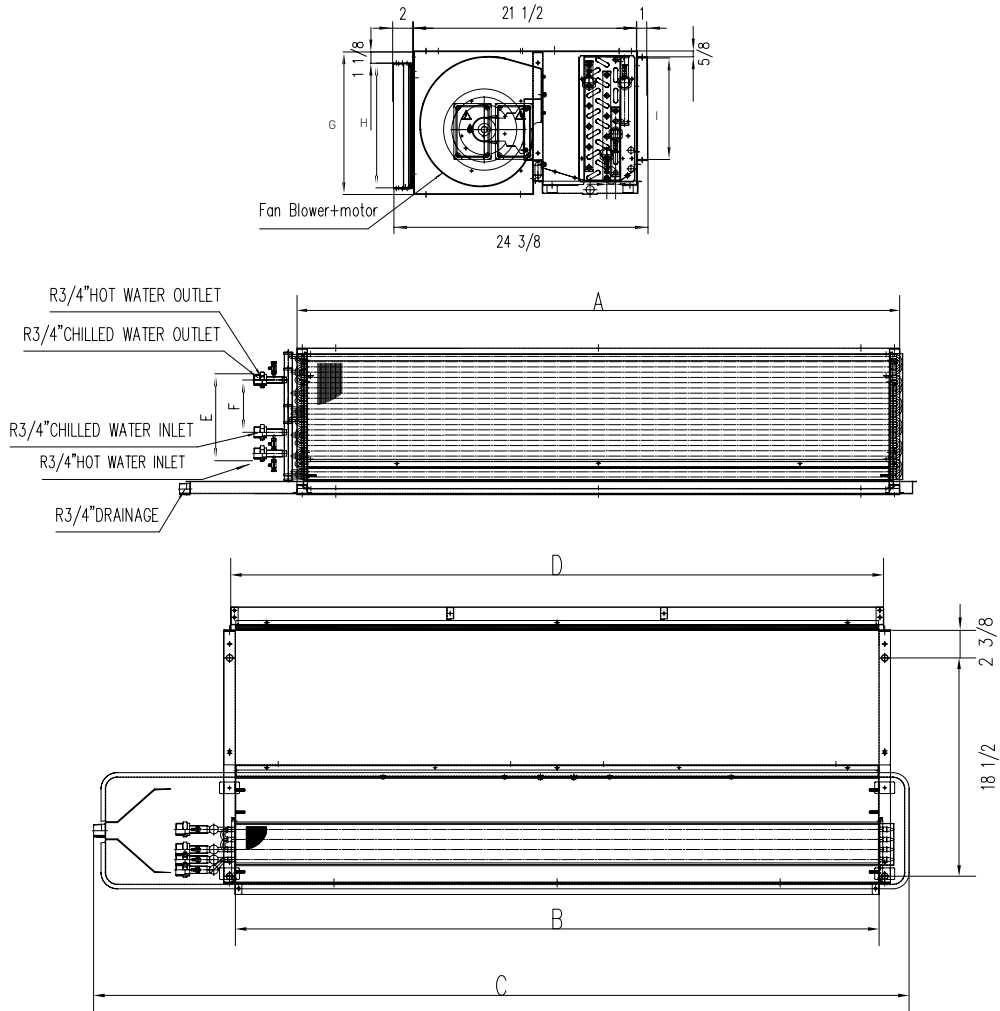


Model	Unit-Dimensions-(in)							
	A	B	C	D	E	F	G	H
PDWC-V-400	25	23	41-1/2	23-7/8	5-7/8	11-3/4	10-1/8	8
PDWC-V-500	28-7/8	27	45-1/2	27-3/4	5-7/8	11-3/4	10-1/8	8
PDWC-V-600	36-3/4	34-7/8	53-3/8	35-5/8	5-7/8	11-3/4	10-1/8	8
PDWC-V-800	36-3/4	34-7/8	53-3/8	35-5/8	6-7/8	13-3/4	12	9-7/8
PDWC-V-1000	40-3/4	38-3/4	57-1/4	39-5/8	6-7/8	13-3/4	12	9-7/8
PDWC-V-1400	48-5/8	46-5/8	65-1/8	47-1/2	6-7/8	13-3/4	12	9-7/8
PDWC-V-1600	56-1/2	54-1/2	73	55-3/8	6-7/8	13-3/4	12	9-7/8
PDWC-V-2000	66-3/4	64-3/4	87-3/4	65-1/2	6-7/8	13-3/4	12	9-7/8

PDWC			400	500	600	800	1000	1400	1600	2000
CONNECTIONS	Water	Type	Socket (Female threaded)							
		In	3/4"							
	Out	in								
	Condensate Drainage	in								
WEIGHT	Net	lbs	62	82	97	101	106	121	139	183

DIMENSIONAL DRAWINGS, DATA & WEIGHTS

Without decorative cabinet



Model	Unit-Dimensions-(in)								
	A	B	C	D	E	F	G	H	I
PDWC-P-400	25	23	41-1/2	23-7/8	4-7/8	3	11-3/4	10-1/8	8
PDWC-P-500	28-7/8	27	45-1/2	27-3/4	4-7/8	3	11-3/4	10-1/8	8
PDWC-P-600	36-3/4	34-7/8	53-3/8	35-5/8	4-7/8	3	11-3/4	10-1/8	8
PDWC-P-800	36-3/4	34-7/8	53-3/8	35-5/8	6-7/8	4-7/8	13-3/4	12	9-7/8
PDWC-P-1000	40-3/4	38-3/4	57-1/4	39-5/8	6-7/8	4-7/8	13-3/4	12	9-7/8
PDWC-P-1400	48-5/8	46-5/8	65-1/8	47-1/2	6-7/8	4-7/8	13-3/4	12	9-7/8
PDWC-P-1600	56-1/2	54-1/2	73	55-3/8	6-7/8	4-7/8	13-3/4	12	9-7/8
PDWC-P-2000	66-3/4	65-3/4	87-1/4	65-1/2	6-7/8	4-7/8	13-3/4	12	9-7/8

PDWC				400	500	600	800	1000	1400	1600	2000
CONNECTIONS	Water	Type		Socket (Female threaded)							
		In	in								
	Out	in									
CONDENSATE DRAINAGE	Type		3/4"								
	In	in									
WEIGHT	Net	lbs	62	82	97	101	106	121	139	183	